

WONDER® Since 1988

In Synchronization with the Future

ISO14001 ISO9001 ISO45001   CE  RoHS  SASO    

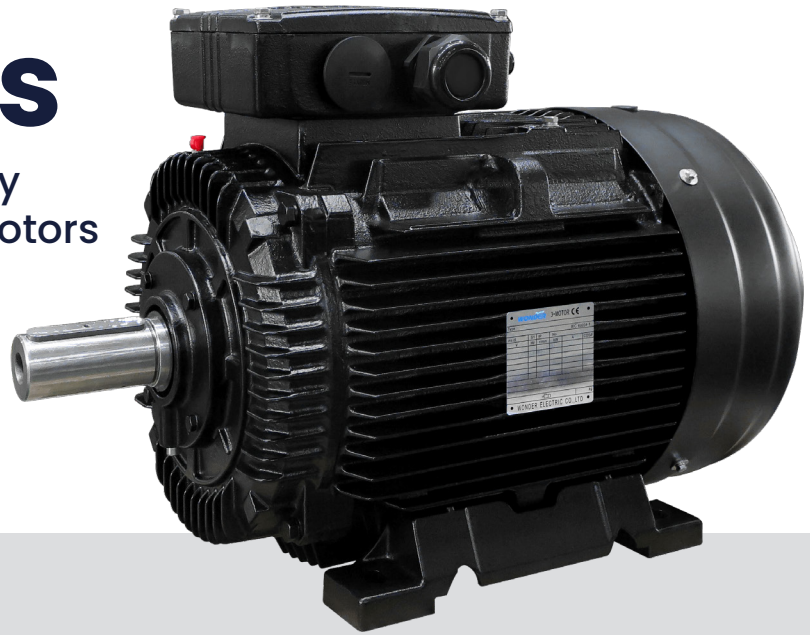
WE Series

Three Phase High Efficiency
Asynchronous Cast Iron Motors

IE2

WE Series

Three Phase High Efficiency
Asynchronous Cast Iron Motors



General Information:

WE Series three phase asynchronous motors are completely new-designed high efficiency motors with cast iron housing. The efficiency indicators are in line with IE2 and Australia MEPS2(Level 1A).

Wonder three phase asynchronous motors are widely applied in general machinery and industries such as pumps & water treatment, road machinery, petroleum, chemical & metallurgy, cement and paper making.

Technical Characteristics:

- IP55 protection, class F insulation, B-level temperature rise, S1 duty;
- Rated voltage 400V;
- Rated frequency 50Hz;
- Operation ambient temperature: -20°C~40°C;
- Operation altitude ≤1000m.
- Y-connection for motors up to 3kW,
△-connection for 4kW and above.
- Cooling method: IC411 / IC416.

Mounting Arrangements:

| Types | Basic Type of Construction | Derived Types of Construction | | | | |
|---------------|----------------------------|-------------------------------|-------------------|------------------|------------------|------------------|
| WE 160-355 | IM B3 IM 1001 | IM V5 IM 1011 | IM V6 IM 1031 | IM B6 IM 1051 | IM B7 IM 1061 | IM B8 IM 1071 |
| | | | | | | |
| WE 160-355 | IM B35 IM 2001 | IM V15 IM 2011 | IM V36 IM 2031 | * IM 2051 | * IM 2061 | * IM 2071 |
| | | | | | | |
| WE 160-355 | IM B5 IM 3001 | IM V1 IM 3011 | IM V3 IM 3031 | | | |
| | | | | | | |

Basic types of construction may be used in all derived types of construction.

1) "*" means not-defined mounting by IEC 60034-7.

2) for the types of construction IM V6, IM B6, IM B8 inquiry is necessary.

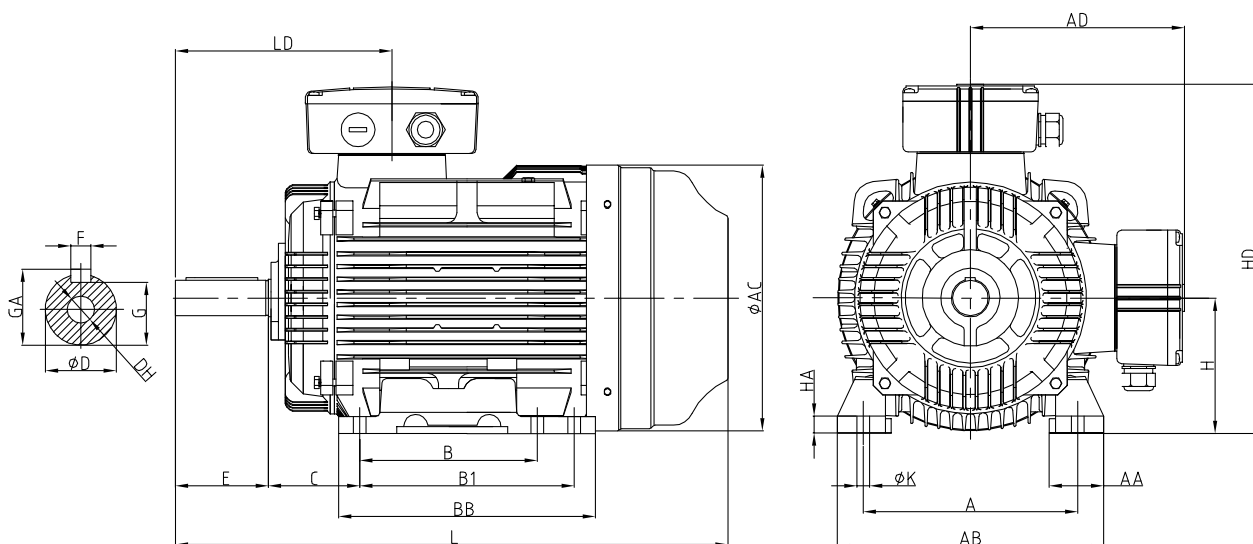
Technical Specifications (1/2)

| Rated Output | | IEC Frame | Rated Speed r/m | Full Load Current I _n (A) | Efficiency η% | | | Power Factor cosφ | | | Locked Rotor Current I _L /I _n | Locked Rotor Torque T _L /T _n | Break-down Torque T _b /T _n | Sound LP dB(A) | Moment of Inertia J(kgm ²) | Weight kg |
|-----------------------|-----|-----------|--------------------|---|------------------|------|------|----------------------|------|------|--|---|---|-------------------|---|--------------|
| | | | | | % of Full Load | | | | | | | | | | | |
| kW | HP | | | 400V | 100 | 75 | 50 | 100 | 75 | 50 | | | | | | |
| 3000r/m (2 Pole) 50Hz | | | | | | | | | | | | | | | | |
| 11 | 15 | 160M | 2935 | 19.6 | 89.9 | 89.7 | 88.1 | 0.90 | 0.98 | 0.84 | 7.5 | 2.2 | 2.5 | 68 | 0.0549 | 109 |
| 15 | 20 | 160M | 2935 | 26.5 | 90.7 | 90.7 | 89.5 | 0.90 | 0.88 | 0.83 | 7.5 | 2.2 | 2.5 | 68 | 0.0635 | 119 |
| 18.5 | 25 | 160L | 2940 | 32.2 | 91.2 | 91.2 | 90.1 | 0.91 | 0.98 | 0.84 | 7.5 | 2.2 | 2.2 | 68 | 0.0725 | 136 |
| 22 | 30 | 180M | 2950 | 38.1 | 91.5 | 91.2 | 89.6 | .91 | 0.98 | 0.83 | 7.5 | 2.0 | 2.2 | 70 | 0.1025 | 172 |
| 30 | 40 | 200L | 2950 | 51.6 | 92.2 | 91.7 | 90.4 | 0.91 | 0.90 | 0.86 | 7.5 | 2.0 | 2.3 | 73 | 0.173 | 223 |
| 37 | 50 | 200L | 2950 | 63.4 | 92.6 | 92.6 | 91.5 | 0.91 | 0.90 | 0.87 | 7.5 | 2.0 | 2.3 | 73 | 0.195 | 242 |
| 45 | 60 | 225M | 2965 | 76.7 | 93.1 | 92.7 | 91.2 | 0.91 | 0.90 | 0.86 | 7.5 | 2.0 | 2.3 | 75 | 0.325 | 302 |
| 55 | 75 | 250S/M | 2970 | 94.4 | 93.4 | 93.0 | 91.4 | 0.90 | 0.89 | 0.84 | 7.5 | 2.0 | 2.3 | 78 | 0.395 | 382 |
| 75 | 100 | 280S | 2975 | 127 | 94.0 | 93.5 | 92.0 | 0.91 | 0.90 | 0.86 | 7.5 | 2.0 | 2.3 | 79 | 0.683 | 515 |
| 90 | 125 | 280M | 2980 | 151 | 94.5 | 94.1 | 92.7 | 0.91 | 0.90 | 0.86 | 7.5 | 2.0 | 2.3 | 79 | 0.765 | 545 |
| 110 | 150 | 315S | 2975 | 184 | 94.6 | 93.9 | 92.3 | 0.91 | 0.89 | 0.83 | 7.1 | 1.8 | 2.2 | 80 | 1.558 | 860 |
| 132 | 175 | 315M | 2975 | 221 | 94.8 | 94.2 | 92.7 | 0.91 | 0.89 | 0.84 | 7.1 | 1.8 | 2.2 | 80 | 1.726 | 970 |
| 160 | 215 | 315M/L | 2980 | 267 | 95.0 | 94.5 | 93.0 | 0.91 | 0.89 | 0.84 | 7.1 | 1.8 | 2.2 | 82 | 1.941 | 1000 |
| 200 | 270 | 315M/L | 2980 | 333 | 95.2 | 94.8 | 93.6 | 0.91 | 0.90 | 0.85 | 7.1 | 1.8 | 2.2 | 82 | 2.212 | 1080 |
| 250 | 335 | 335M/L | 2985 | 420 | 95.4 | 94.8 | 93.3 | 0.90 | 0.89 | 0.88 | 7.1 | 1.6 | 2.2 | 83 | 3.848 | 1710 |
| 280 | 375 | 335M/L | 2985 | 470 | 95.6 | 95.0 | 93.6 | 0.90 | 0.89 | 0.88 | 7.1 | 1.6 | 2.2 | 83 | 3.949 | 1870 |
| 315 | 420 | 335M/L | 2985 | 521 | 95.9 | 95.3 | 93.9 | 0.91 | 0.91 | 0.89 | 7.1 | 1.6 | 2.2 | 83 | 3.995 | 1920 |
| 1500r/m (4 Pole) 50Hz | | | | | | | | | | | | | | | | |
| 11 | 150 | 160M | 1460 | 20.7 | 90.3 | 90.7 | 90.2 | 0.85 | 0.82 | 0.76 | 7.0 | 2.2 | 2.5 | 60 | 0.1052 | 115 |
| 15 | 20 | 160L | 1460 | 27.7 | 91.0 | 91.4 | 90.8 | 0.86 | 0.83 | 0.77 | 7.5 | 2.2 | 2.5 | 60 | 0.1123 | 135 |
| 18.5 | 25 | 180M | 1470 | 34.0 | 91.3 | 91.3 | 90.6 | 0.86 | 0.83 | 0.76 | 7.5 | 2.2 | 2.5 | 65 | 0.1659 | 170 |
| 22 | 30 | 180L | 1470 | 40.2 | 91.8 | 91.8 | 90.9 | 0.86 | 0.83 | 0.76 | 7.5 | 2.2 | 2.5 | 65 | 0.1865 | 184 |
| 30 | 40 | 200L | 1470 | 52.6 | 92.5 | 92.5 | 91.8 | 0.89 | 0.88 | 0.80 | 7.2 | 2.2 | 2.5 | 68 | 0.302 | 235 |
| 37 | 50 | 225S | 1480 | 66.1 | 92.9 | 93.0 | 92.2 | 0.87 | 0.86 | 0.80 | 7.2 | 2.2 | 2.5 | 68 | 0.538 | 290 |
| 45 | 60 | 225M | 1480 | 80.0 | 93.3 | 93.3 | 92.6 | 0.87 | 0.85 | 0.80 | 7.2 | 2.2 | 2.5 | 68 | 0.635 | 326 |
| 55 | 75 | 250S/M | 1480 | 95.0 | 93.9 | 93.7 | 92.6 | 0.89 | 0.87 | 0.81 | 7.2 | 2.2 | 2.5 | 69 | 0.785 | 385 |
| 75 | 100 | 280S | 1485 | 132 | 94.1 | 94.0 | 92.9 | 0.87 | 0.85 | 0.79 | 7.2 | 2.2 | 2.5 | 70 | 1.552 | 515 |
| 90 | 125 | 280M | 1485 | 158 | 94.3 | 94.0 | 93.3 | 0.87 | 0.85 | 0.79 | 7.2 | 2.2 | 2.5 | 70 | 1.865 | 605 |
| 110 | 150 | 315S | 1485 | 190 | 94.8 | 94.2 | 92.5 | 0.88 | 0.84 | 0.76 | 6.9 | 2.1 | 2.2 | 74 | 3.48 | 880 |
| 132 | 175 | 315M | 1485 | 228 | 94.9 | 94.3 | 92.9 | 0.88 | 0.85 | 0.78 | 6.9 | 2.1 | 2.2 | 74 | 3.678 | 990 |
| 160 | 215 | 315M/L | 1485 | 276 | 95.2 | 94.9 | 94.4 | 0.88 | 0.87 | 0.82 | 6.9 | 2.1 | 2.2 | 74 | 4.472 | 1060 |
| 200 | 270 | 315M/L | 1485 | 345 | 95.2 | 94.9 | 93.7 | 0.88 | 0.87 | 0.82 | 6.9 | 2.1 | 2.2 | 76 | 4.856 | 1150 |
| 250 | 335 | 355M/L | 1490 | 416 | 95.3 | 94.9 | 93.6 | 0.91 | 0.90 | 0.86 | 7.1 | 2.1 | 2.2 | 79 | 7.364 | 1740 |
| 280 | 375 | 355M/L | 1490 | 474 | 95.8 | 95.2 | 94.0 | 0.89 | 0.87 | 0.82 | 6.9 | 2.1 | 2.2 | 80 | 8.014 | 1870 |
| 315 | 420 | 355M/L | 1490 | 534 | 95.7 | 95.2 | 94.0 | 0.89 | 0.87 | 0.82 | 6.9 | 2.1 | 2.2 | 80 | 9.1 | 1975 |

Technical Specifications (2/2)

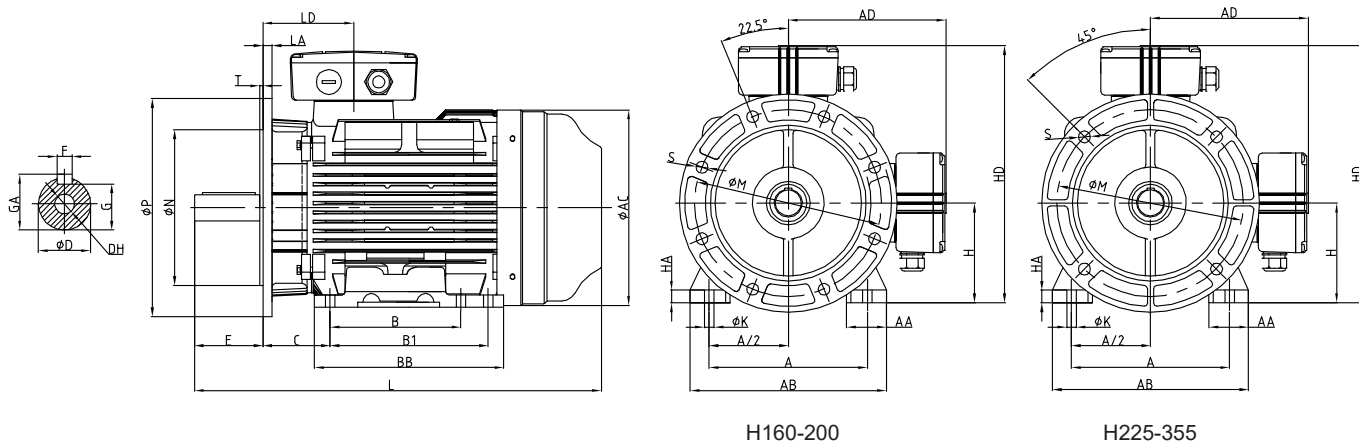
| Rated Output | | IEC Frame | Rated Speed r/m | Full Load Current I_n (A) | Efficiency $\eta\%$ | | | Power Factor $\cos\phi$ | | | Locked Rotor Current I_L/I_n | Locked Rotor Torque T_L/T_n | Break-down Torque T_b/T_n | Sound LP dB(A) | Moment of Inertia J(kgm ²) | Weight kg |
|-----------------------|-----|-----------|--------------------|--------------------------------|------------------------|------|------|----------------------------|------|------|-----------------------------------|----------------------------------|--------------------------------|-------------------|---|--------------|
| | | | | | % of Full Load | | | | | | | | | | | |
| kW | HP | | | 400V | 100 | 75 | 50 | 100 | 75 | 50 | | | | | | |
| 1000r/m (6 Pole) 50Hz | | | | | | | | | | | | | | | | |
| 7.5 | 10 | 160M | 970 | 15.9 | 87.4 | 87.4 | 86.2 | 0.78 | 0.71 | 0.59 | 6.5 | 2 | 2.3 | 56 | 0.121 | 110 |
| 11 | 15 | 160L | 970 | 22.9 | 88.9 | 88.9 | 87.8 | 0.78 | 0.72 | 0.6 | 6.4 | 2 | 2.3 | 56 | 0.145 | 133 |
| 15 | 20 | 180L | 975 | 29.7 | 89.9 | 89.9 | 88.5 | 0.81 | 0.76 | 0.66 | 7 | 2 | 2.3 | 56 | 0.229 | 174 |
| 18.5 | 25 | 200L | 980 | 36.4 | 90.5 | 90.6 | 89.6 | 0.81 | 0.77 | 0.68 | 7 | 2.1 | 2.4 | 59 | 0.342 | 219 |
| 22 | 30 | 200L | 980 | 43.1 | 90.9 | 90.9 | 89.8 | 0.81 | 0.76 | 0.67 | 7 | 2.1 | 2.4 | 59 | 0.386 | 228 |
| 30 | 40 | 225M | 980 | 56.2 | 91.8 | 91.8 | 90.9 | 0.84 | 0.81 | 0.74 | 7 | 2 | 2.3 | 61 | 0.625 | 296 |
| 37 | 50 | 250S/M | 980 | 66.5 | 92.3 | 92.4 | 91.4 | 0.87 | 0.85 | 0.78 | 7 | 2.1 | 2.5 | 61 | 0.985 | 380 |
| 45 | 60 | 280S | 985 | 81.4 | 92.8 | 92.7 | 91.7 | 0.86 | 0.84 | 0.78 | 7 | 2.1 | 2.5 | 66 | 1.733 | 470 |
| 55 | 75 | 280M | 985 | 99 | 93.2 | 93.2 | 92.3 | 0.86 | 0.85 | 0.8 | 7 | 2.1 | 2.5 | 66 | 1.965 | 545 |
| 75 | 100 | 315S | 985 | 136 | 93.8 | 93.5 | 92.1 | 0.85 | 0.83 | 0.77 | 7 | 2 | 2.2 | 70 | 3.723 | 866 |
| 90 | 125 | 315M | 985 | 162 | 94.2 | 93.7 | 92.3 | 0.85 | 0.83 | 0.75 | 7 | 2 | 2.2 | 70 | 4.526 | 948 |
| 110 | 150 | 315M/L | 985 | 196 | 94.4 | 94.3 | 93.3 | 0.86 | 0.84 | 0.79 | 6.7 | 2 | 2.2 | 70 | 5.157 | 1120 |
| 132 | 175 | 315M/L | 985 | 234 | 94.6 | 94.4 | 93.5 | 0.86 | 0.85 | 0.8 | 6.7 | 2 | 2.2 | 70 | 5.685 | 1185 |
| 160 | 215 | 355M/L | 990 | 277 | 94.9 | 94.6 | 93.5 | 0.88 | 0.86 | 0.79 | 6.7 | 1.9 | 2 | 75 | 9.57 | 1705 |
| 180 | 240 | 355M/L | 990 | 310 | 95.1 | 94.9 | 94 | 0.88 | 0.86 | 0.8 | 6.7 | 1.9 | 2 | 75 | 9.89 | 1785 |
| 200 | 270 | 355M/L | 990 | 345 | 95.1 | 94.9 | 94 | 0.88 | 0.86 | 0.8 | 6.7 | 1.9 | 2 | 75 | 11.1 | 1890 |
| 225 | 300 | 355M/L | 990 | 388 | 95.1 | 94.9 | 94 | 0.88 | 0.86 | 0.8 | 6.7 | 1.9 | 2 | 75 | 11.3 | 1950 |
| 250 | 335 | 355M/L | 990 | 431 | 95.1 | 94.9 | 94 | 0.88 | 0.86 | 0.8 | 6.7 | 1.9 | 2 | 75 | 11.8 | 2000 |
| 280 | 375 | 355M/L | 990 | 483 | 95.1 | 94.9 | 94 | 0.88 | 0.86 | 0.8 | 6.7 | 1.9 | 2 | 75 | 12.9 | 2080 |
| 750r/m (8 Pole) 50Hz | | | | | | | | | | | | | | | | |
| 4 | 5.5 | 160M | 725 | 9.55 | 82.8 | 83.4 | 82.2 | 0.73 | 0.67 | 0.54 | 6 | 2.1 | 2.2 | 53 | 0.089 | 98 |
| 5.5 | 7.5 | 160M | 730 | 12.7 | 84.5 | 85.1 | 84.1 | 0.74 | 0.67 | 0.55 | 6 | 2.1 | 2.2 | 53 | 0.096 | 109 |
| 7.5 | 10 | 160L | 730 | 17 | 86 | 86.6 | 85.7 | 0.74 | 0.67 | 0.55 | 6 | 2 | 2.2 | 53 | 0.102 | 131 |
| 10 | 15 | 180L | 730 | 24.5 | 87.7 | 87.9 | 86.5 | 0.74 | 0.68 | 0.56 | 6.6 | 2 | 2.3 | 53 | 0.228 | 173 |
| 15 | 20 | 200L | 735 | 32.5 | 88.9 | 89 | 87.7 | 0.75 | 0.69 | 0.57 | 6.6 | 2 | 2.3 | 55 | 0.395 | 234 |
| 18.5 | 25 | 225S | 735 | 39.2 | 89.7 | 89.9 | 88.8 | 0.76 | 0.7 | 0.59 | 6.6 | 1.9 | 2 | 55 | 0.603 | 276 |
| 22 | 30 | 225M | 735 | 46.3 | 90.2 | 90.3 | 89.3 | 0.76 | 0.7 | 0.59 | 6.6 | 1.9 | 2 | 55 | 0.698 | 298 |
| 30 | 40 | 250S/M | 735 | 60.1 | 91.2 | 91.4 | 90.7 | 0.79 | 0.75 | 0.64 | 6.6 | 1.9 | 2 | 58 | 0.983 | 375 |
| 37 | 50 | 280S | 735 | 73.6 | 91.8 | 91.9 | 91 | 0.79 | 0.75 | 0.65 | 6.6 | 1.9 | 2.2 | 58 | 1.857 | 480 |
| 45 | 60 | 280M | 735 | 89 | 92.4 | 92.6 | 91.9 | 0.79 | 0.76 | 0.67 | 6.6 | 1.9 | 2.2 | 58 | 1.998 | 560 |
| 55 | 75 | 315S | 740 | 106 | 92.9 | 92.6 | 92.2 | 0.81 | 0.77 | 0.67 | 6.6 | 1.8 | 2 | 63 | 4.959 | 915 |
| 75 | 100 | 315M | 740 | 143 | 93.7 | 93.4 | 92.2 | 0.81 | 0.77 | 0.67 | 6.6 | 1.8 | 2 | 63 | 5.825 | 991 |
| 90 | 125 | 315M/L | 740 | 168 | 94.1 | 93.8 | 92.6 | 0.82 | 0.78 | 0.67 | 6.6 | 1.8 | 2 | 63 | 6.753 | 1083 |
| 110 | 150 | 315M/L | 740 | 205 | 94.5 | 94.1 | 92.8 | 0.82 | 0.77 | 0.67 | 6.4 | 1.8 | 2 | 63 | 7.352 | 1174 |
| 132 | 175 | 355M/L | 745 | 245 | 94.8 | 94.5 | 93.4 | 0.82 | 0.79 | 0.7 | 6.4 | 1.8 | 2 | 70 | 12.94 | 1815 |
| 160 | 215 | 355M/L | 745 | 296 | 95.2 | 94.9 | 93.7 | 0.82 | 0.78 | 0.69 | 6.4 | 1.8 | 2 | 70 | 13.32 | 1905 |
| 180 | 240 | 355M/L | 745 | 333 | 95.2 | 94.9 | 93.8 | 0.82 | 0.79 | 0.69 | 6.4 | 1.8 | 2 | 70 | 14 | 1985 |
| 200 | 270 | 355M/L | 745 | 370 | 95.2 | 94.9 | 93.8 | 0.82 | 0.79 | 0.69 | 6.4 | 1.8 | 2 | 70 | 14.9 | 2060 |

B3 Mounting and Overall Dimensions



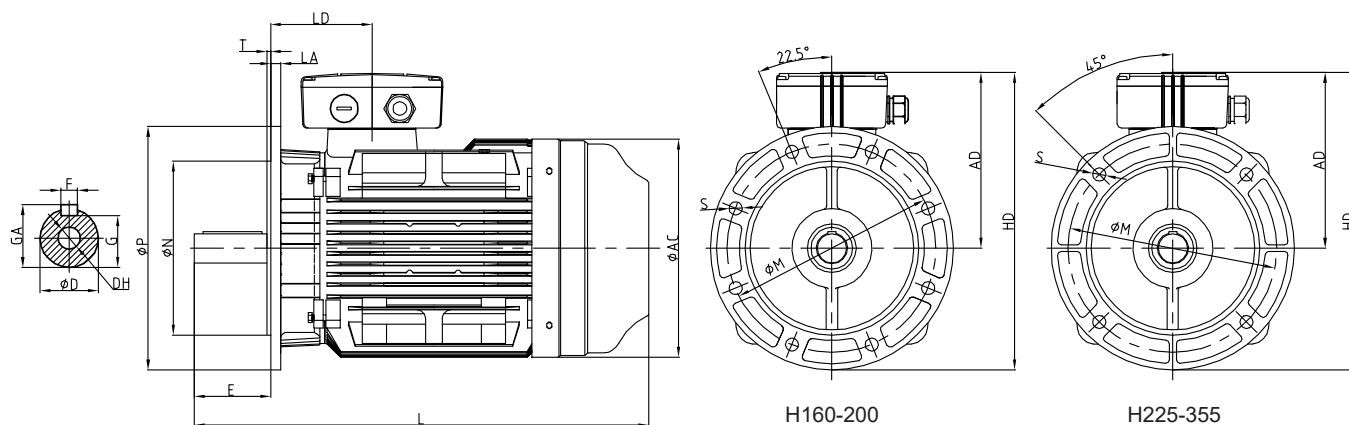
| Frame Size | Poles | Mounting and Overall Dimensions (mm) | | | | | | | | | | | | | | | | | | | | |
|------------|-------|--------------------------------------|-----|-----|-----|----|-----|----|------|-----|----|--------|------|-----|-----|-----|-----|----|-----|-----|-----|------|
| | | A | B | B1 | C | D | E | F | G | H | K | DH | GA | AA | AB | AC | AD | HA | HD | BB | LD | L |
| 160M | 2~8 | 254 | 210 | / | 108 | 42 | 110 | 12 | 37 | 160 | 15 | M16×36 | 45 | 64 | 315 | 314 | 265 | 20 | 413 | 260 | 256 | 610 |
| 160L | 2~8 | 254 | 254 | / | 108 | 42 | 110 | 12 | 37 | 160 | 15 | M16×36 | 45 | 64 | 315 | 314 | 265 | 20 | 413 | 304 | 256 | 654 |
| 180M | 2.4 | 279 | 241 | / | 121 | 48 | 110 | 14 | 42.5 | 180 | 15 | M16×36 | 51.5 | 68 | 350 | 355 | 280 | 22 | 449 | 311 | 271 | 684 |
| 180L | 4~8 | 279 | 279 | / | 121 | 48 | 110 | 14 | 42.5 | 180 | 15 | M16×36 | 51.5 | 68 | 351 | 355 | 280 | 22 | 449 | 349 | 271 | 722 |
| 200L | 2~8 | 318 | 305 | / | 133 | 55 | 110 | 16 | 49 | 200 | 19 | M20×42 | 59 | 70 | 351 | 397 | 310 | 25 | 496 | 370 | 296 | 774 |
| 225S | 4.8 | 356 | 286 | / | 149 | 60 | 140 | 18 | 53 | 225 | 19 | M20×42 | 64 | 79 | 430 | 445 | 335 | 28 | 544 | 361 | 329 | 822 |
| 225M | 2 | 356 | 311 | / | 149 | 55 | 110 | 16 | 49 | 225 | 19 | M20×42 | 59 | 79 | 430 | 445 | 335 | 28 | 544 | 386 | 299 | 816 |
| | 4~8 | 356 | 311 | / | 149 | 60 | 140 | 18 | 53 | 225 | 19 | M20×42 | 64 | 79 | 430 | 445 | 335 | 28 | 544 | 386 | 329 | 847 |
| 250S/M | 2 | 406 | 311 | 349 | 168 | 60 | 140 | 18 | 53 | 250 | 24 | M20×42 | 64 | 97 | 484 | 484 | 375 | 30 | 620 | 445 | 329 | 911 |
| | 4~8 | 406 | 311 | 349 | 168 | 65 | 140 | 18 | 58 | 250 | 24 | M20×42 | 69 | 97 | 484 | 484 | 375 | 30 | 620 | 445 | 348 | 911 |
| 280S | 2 | 457 | 368 | / | 190 | 65 | 140 | 18 | 58 | 280 | 24 | M20×42 | 69 | 85 | 542 | 546 | 405 | 35 | 680 | 490 | 357 | 965 |
| | 4~8 | 457 | 368 | / | 190 | 75 | 140 | 20 | 67.5 | 280 | 24 | M20×42 | 79.5 | 85 | 542 | 546 | 405 | 35 | 680 | 490 | 357 | 965 |
| 280M | 2 | 457 | 419 | / | 190 | 65 | 140 | 18 | 58 | 280 | 24 | M20×42 | 69 | 85 | 542 | 546 | 405 | 35 | 680 | 540 | 357 | 1016 |
| | 4~8 | 457 | 419 | / | 190 | 75 | 140 | 20 | 67.5 | 280 | 24 | M20×42 | 79.5 | 85 | 542 | 546 | 405 | 35 | 680 | 540 | 357 | 1016 |
| 315S | 2 | 508 | 406 | / | 216 | 65 | 140 | 18 | 58 | 315 | 28 | M20×46 | 69 | 120 | 628 | 620 | 530 | 45 | 817 | 570 | 397 | 1201 |
| | 4~8 | 508 | 406 | / | 216 | 80 | 170 | 22 | 71 | 315 | 28 | M20×46 | 85 | 120 | 628 | 620 | 530 | 45 | 817 | 570 | 427 | 1231 |
| 315M/L | 2 | 508 | 457 | 508 | 216 | 65 | 140 | 18 | 58 | 315 | 28 | M20×46 | 69 | 120 | 628 | 620 | 530 | 45 | 817 | 680 | 397 | 1311 |
| | 4~8 | 508 | 457 | 508 | 216 | 80 | 170 | 22 | 71 | 315 | 28 | M20×46 | 85 | 120 | 628 | 620 | 530 | 45 | 817 | 680 | 427 | 1341 |
| 355M/L | 2 | 610 | 560 | 630 | 254 | 75 | 140 | 20 | 67.5 | 355 | 28 | M20×46 | 79.5 | 120 | 726 | 698 | 615 | 52 | 945 | 750 | 427 | 1501 |
| | 4~8 | 610 | 560 | 630 | 254 | 95 | 170 | 25 | 86 | 355 | 28 | M24×56 | 100 | 116 | 726 | 698 | 615 | 52 | 945 | 750 | 455 | 1531 |

B35 Mounting and Overall Dimensions



| Frame Size | Poles | Mounting and Overall Dimensions (mm) | | | | | | | | | | | | | | | | | | | | | | | | | | |
|------------|-------|--------------------------------------|-----|-----|-----|----|-----|----|------|-----|----|-----|-----|-----|-------|---|--------|------|-----|-----|-----|-----|-----|----|-----|----|-----|------|
| | | A | B | BI | C | D | E | F | G | H | K | M | N | P | S | T | DH | GA | AA | AB | AC | AD | BB | HA | HD | LA | LD | L |
| 160M | 2~8 | 254 | 210 | / | 108 | 42 | 110 | 12 | 37 | 160 | 15 | 300 | 250 | 350 | 4-φ19 | 5 | M16×36 | 45 | 64 | 315 | 314 | 265 | 260 | 20 | 413 | 15 | 146 | 610 |
| 160L | 2~8 | 254 | 254 | / | 108 | 42 | 110 | 12 | 37 | 160 | 15 | 300 | 250 | 350 | 4-φ19 | 5 | M16×36 | 45 | 64 | 315 | 314 | 265 | 304 | 20 | 413 | 15 | 146 | 654 |
| 180M | 2 | 279 | 241 | / | 121 | 48 | 110 | 14 | 42.5 | 180 | 15 | 300 | 250 | 350 | 4-φ19 | 5 | M16×36 | 51.5 | 68 | 351 | 355 | 280 | 311 | 22 | 449 | 15 | 161 | 684 |
| 180L | 4~8 | 279 | 279 | / | 121 | 48 | 110 | 14 | 42.5 | 180 | 15 | 300 | 250 | 350 | 4-φ19 | 5 | M16×36 | 51.5 | 68 | 351 | 355 | 280 | 349 | 22 | 449 | 15 | 161 | 722 |
| 200L | 2~8 | 318 | 305 | / | 133 | 55 | 110 | 16 | 49 | 200 | 19 | 350 | 300 | 400 | 4-φ19 | 5 | M20×42 | 59 | 70 | 388 | 397 | 310 | 369 | 25 | 496 | 17 | 186 | 774 |
| 225S | 4~8 | 356 | 286 | / | 149 | 60 | 140 | 18 | 53 | 225 | 19 | 400 | 350 | 450 | 8-φ19 | 5 | M20×42 | 64 | 79 | 430 | 445 | 335 | 361 | 28 | 544 | 20 | 189 | 822 |
| 225M | 2 | 356 | 311 | / | 149 | 55 | 110 | 16 | 49 | 225 | 19 | 400 | 350 | 450 | 8-φ19 | 5 | M20×42 | 59 | 79 | 430 | 445 | 335 | 386 | 28 | 544 | 20 | 189 | 816 |
| | 4~8 | 356 | 311 | / | 149 | 60 | 140 | 18 | 53 | 225 | 19 | 400 | 350 | 450 | 8-φ19 | 5 | M20×42 | 64 | 79 | 430 | 445 | 335 | 386 | 28 | 544 | 20 | 189 | 847 |
| 250S/M | 2 | 406 | 311 | 349 | 168 | 60 | 140 | 18 | 53 | 250 | 24 | 500 | 450 | 550 | 8-φ19 | 5 | M20×42 | 64 | 97 | 484 | 484 | 375 | 445 | 32 | 620 | 22 | 208 | 911 |
| | 4~8 | 406 | 311 | 349 | 168 | 65 | 140 | 18 | 58 | 250 | 24 | 500 | 450 | 550 | 8-φ19 | 5 | M20×42 | 69 | 97 | 484 | 484 | 375 | 445 | 32 | 620 | 22 | 208 | 911 |
| 280S | 2 | 457 | 368 | / | 190 | 65 | 140 | 18 | 58 | 280 | 24 | 500 | 450 | 550 | 8-φ19 | 5 | M20×42 | 69 | 85 | 542 | 546 | 405 | 485 | 35 | 680 | 22 | 217 | 965 |
| | 4~8 | 457 | 368 | / | 190 | 75 | 140 | 20 | 67.5 | 280 | 24 | 500 | 450 | 550 | 8-φ19 | 5 | M20×42 | 79.5 | 85 | 542 | 546 | 405 | 485 | 35 | 680 | 22 | 217 | 965 |
| 280M | 2 | 457 | 419 | / | 190 | 65 | 140 | 18 | 58 | 280 | 24 | 500 | 450 | 550 | 8-φ19 | 5 | M20×42 | 69 | 85 | 542 | 546 | 405 | 536 | 35 | 680 | 22 | 217 | 1016 |
| | 4~8 | 457 | 419 | / | 190 | 75 | 140 | 20 | 67.5 | 280 | 24 | 500 | 450 | 550 | 8-φ19 | 5 | M20×42 | 79.5 | 85 | 542 | 546 | 405 | 536 | 35 | 680 | 22 | 217 | 1016 |
| 315S | 2 | 508 | 406 | / | 216 | 65 | 140 | 18 | 58 | 315 | 28 | 600 | 550 | 660 | 8-φ24 | 6 | M20×46 | 69 | 120 | 628 | 620 | 530 | 570 | 45 | 817 | 22 | 257 | 1201 |
| | 4~8 | 508 | 406 | / | 216 | 80 | 170 | 22 | 71 | 315 | 28 | 600 | 550 | 660 | 8-φ24 | 6 | M20×46 | 58 | 120 | 628 | 620 | 530 | 570 | 45 | 817 | 22 | 257 | 1231 |
| 315M/L | 2 | 508 | 457 | 508 | 216 | 65 | 140 | 18 | 58 | 315 | 28 | 600 | 550 | 660 | 8-φ24 | 6 | M20×46 | 69 | 120 | 628 | 620 | 530 | 680 | 45 | 817 | 22 | 257 | 1311 |
| | 4~8 | 508 | 457 | 508 | 216 | 80 | 170 | 22 | 71 | 315 | 28 | 600 | 550 | 660 | 8-φ24 | 6 | M20×46 | 58 | 120 | 628 | 620 | 530 | 680 | 45 | 817 | 22 | 257 | 1341 |
| 355M/L | 2 | 610 | 500 | 630 | 254 | 75 | 140 | 20 | 67.5 | 355 | 28 | 740 | 680 | 800 | 8-φ24 | 6 | M20×46 | 79.5 | 120 | 730 | 698 | 615 | 750 | 52 | 945 | 25 | 284 | 1501 |
| | 4~8 | 610 | 500 | 630 | 254 | 95 | 170 | 25 | 86 | 355 | 28 | 740 | 680 | 800 | 8-φ24 | 6 | M20×46 | 100 | 116 | 726 | 698 | 615 | 750 | 52 | 945 | 25 | 284 | 1531 |

B5 Mounting and Overall Dimensions

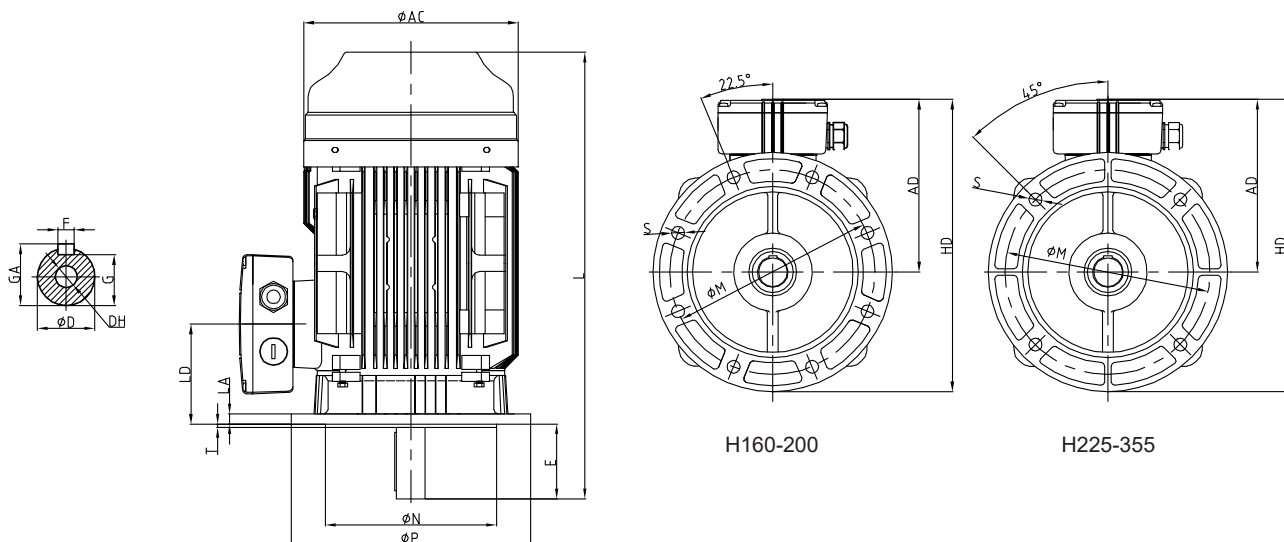


H160-200

H225-355

| Frame Size | Poles | Mounting and Overall Dimensions (mm) | | | | | | | | | | | | | | | |
|------------|-------|--------------------------------------|-----|----|------|-----|-----|-----|----------------|---|--------|------|-----|-----|----|-----|------|
| | | D | E | F | G | M | N | P | S | T | DH | GA | AC | HD | LA | LD | L |
| 160M | 2~8 | 42 | 110 | 12 | 37 | 300 | 250 | 350 | 4- $\phi 19$ | 5 | M16×36 | 45 | 314 | 428 | 15 | 114 | 610 |
| 160L | 2~8 | 42 | 110 | 12 | 37 | 300 | 250 | 350 | 4- $\phi 19$ | 5 | M16×36 | 45 | 314 | 428 | 15 | 146 | 654 |
| 180M | 2.4.6 | 48 | 110 | 14 | 42.5 | 300 | 250 | 350 | 4- $\phi 19$ | 5 | M16×36 | 51.5 | 334 | 444 | 15 | 161 | 684 |
| 180L | 4.6.8 | 48 | 110 | 14 | 42.5 | 300 | 250 | 350 | 4- $\phi 19$ | 5 | M16×36 | 51.5 | 355 | 444 | 15 | 161 | 722 |
| 200L | 2~8 | 55 | 110 | 16 | 49 | 350 | 300 | 400 | 4- $\phi 19$ | 5 | M20×42 | 59 | 397 | 496 | 17 | 186 | 774 |
| 225S | 4.8 | 60 | 140 | 18 | 53 | 400 | 350 | 450 | 8- $\phi 19$ | 5 | M20×42 | 64 | 445 | 544 | 20 | 189 | 822 |
| 225M | 2 | 55 | 110 | 16 | 49 | 400 | 350 | 450 | 8- $\phi 19$ | 5 | M20×42 | 59 | 445 | 544 | 20 | 189 | 816 |
| | 4~8 | 60 | 140 | 18 | 53 | 400 | 350 | 450 | 8- $\phi 19$ | 5 | M20×42 | 64 | 445 | 544 | 20 | 189 | 847 |
| 250S/M | 2 | 60 | 140 | 18 | 53 | 500 | 450 | 550 | 8- $\phi 19$ | 5 | M20×42 | 64 | 484 | 645 | 22 | 208 | 911 |
| | 4~8 | 65 | 140 | 18 | 58 | 500 | 450 | 550 | 8- $\phi 19$ | 5 | M20×42 | 69 | 484 | 645 | 22 | 208 | 911 |
| 280S | 2 | 65 | 140 | 18 | 58 | 500 | 450 | 550 | 8- $\phi 19$ | 5 | M20×42 | 69 | 546 | 675 | 22 | 217 | 965 |
| | 4~8 | 75 | 140 | 20 | 67.5 | 500 | 450 | 550 | 8- $\phi 18.5$ | 5 | M20×42 | 79.5 | 546 | 675 | 22 | 217 | 965 |
| 280M | 2 | 65 | 140 | 18 | 58 | 500 | 450 | 550 | 8- $\phi 18.5$ | 5 | M20×42 | 69 | 546 | 675 | 22 | 217 | 1016 |
| | 4~8 | 75 | 140 | 20 | 67.5 | 500 | 450 | 550 | 8- $\phi 18.5$ | 5 | M20×42 | 79.5 | 546 | 675 | 22 | 217 | 1016 |

VI Mounting and Overall Dimensions



H160-200

H225-355

| Frame Size | Poles | Mounting and Overall Dimensions (mm) | | | | | | | | | | | | | | | |
|------------|-------|--------------------------------------|-----|----|------|-----|-----|-----|---------|---|--------|------|-----|----|-----|-----|------|
| | | D | E | F | G | M | N | P | S | T | DH | GA | AC | HD | LA | LD | L |
| 160M | 2~8 | 42 | 110 | 12 | 37 | 300 | 250 | 350 | 4-φ19 | 5 | M16×36 | 45 | 314 | 15 | 428 | 146 | 610 |
| 160L | 2~8 | 42 | 110 | 12 | 37 | 300 | 250 | 350 | 4-φ19 | 5 | M16×36 | 45 | 314 | 15 | 428 | 146 | 654 |
| 180M | 2.4 | 48 | 110 | 14 | 42.5 | 300 | 250 | 350 | 4-φ19 | 5 | M16×36 | 51.5 | 355 | 15 | 444 | 161 | 684 |
| 180L | 4~8 | 48 | 110 | 14 | 45.2 | 300 | 250 | 350 | 4-φ19 | 5 | M16×36 | 51.5 | 355 | 15 | 444 | 161 | 722 |
| 200L | 2~8 | 55 | 110 | 16 | 49 | 350 | 300 | 400 | 4-φ19 | 5 | M20×42 | 59 | 397 | 17 | 496 | 186 | 774 |
| 225S | 4.8 | 60 | 140 | 18 | 53 | 400 | 350 | 450 | 8-φ19 | 5 | M20×42 | 64 | 445 | 20 | 544 | 189 | 822 |
| 225M | 2 | 55 | 110 | 16 | 49 | 400 | 350 | 450 | 8-φ19 | 5 | M20×42 | 59 | 445 | 20 | 544 | 189 | 816 |
| | 4~8 | 60 | 140 | 18 | 53 | 400 | 350 | 450 | 8-φ19 | 5 | M20×42 | 64 | 445 | 20 | 544 | 189 | 847 |
| 250S/M | 2 | 60 | 140 | 18 | 53 | 500 | 450 | 550 | 8-φ19 | 5 | M20×42 | 64 | 484 | 22 | 645 | 208 | 911 |
| | 4~8 | 65 | 140 | 18 | 58 | 500 | 450 | 550 | 8-φ19 | 5 | M20×42 | 69 | 484 | 22 | 645 | 208 | 911 |
| 280S | 2 | 65 | 140 | 18 | 58 | 500 | 450 | 550 | 8-φ18.5 | 5 | M20×42 | 69 | 546 | 22 | 675 | 217 | 965 |
| | 4~8 | 75 | 140 | 20 | 67.5 | 500 | 450 | 550 | 8-φ18.5 | 5 | M20×42 | 79.5 | 546 | 22 | 675 | 217 | 965 |
| 280M | 2 | 65 | 140 | 18 | 58 | 500 | 450 | 550 | 8-φ18.5 | 5 | M20×42 | 69 | 546 | 22 | 675 | 217 | 1016 |
| | 4~8 | 75 | 140 | 20 | 67.5 | 500 | 450 | 550 | 8-φ18.5 | 5 | M20×42 | 79.5 | 546 | 22 | 675 | 217 | 1016 |
| 315S | 2 | 65 | 140 | 18 | 58 | 600 | 550 | 660 | 8-φ24 | 6 | M20×46 | 69 | 620 | 22 | 842 | 257 | 1201 |
| | 4~8 | 80 | 170 | 22 | 71 | 600 | 550 | 660 | 8-φ24 | 6 | M20×46 | 85 | 620 | 22 | 842 | 257 | 1231 |
| 315M/L | 2 | 65 | 140 | 18 | 58 | 600 | 550 | 660 | 8-φ24 | 6 | M20×46 | 69 | 620 | 22 | 842 | 257 | 1311 |
| | 4~8 | 80 | 170 | 22 | 71 | 600 | 550 | 660 | 8-φ24 | 6 | M20×46 | 85 | 620 | 22 | 842 | 257 | 1341 |
| 355M/L | 2 | 75 | 140 | 20 | 67.5 | 740 | 680 | 800 | 8-φ24 | 6 | M20×46 | 79.5 | 698 | 25 | 990 | 284 | 1501 |
| | 4~8 | 95 | 170 | 25 | 86 | 740 | 680 | 800 | 8-φ24 | 6 | M20×46 | 100 | 698 | 25 | 990 | 284 | 1531 |

Terminal Box

| Frame Size | Thread of Cable Gland (mm) | Overall Dimensions (mm) |
|------------|----------------------------|-------------------------|
| 160-180 | 2-M40×1.5 | 200×160×80 |
| 200-225 | 2-M50×1.5 | 250×200×92 |
| 250-280 | 2-M63×1.5 | 340×210×106 |
| 315 | 2-M63×1.5 | 413×258×165 |
| 355 | 2-M72×1.5 | 461×300×190 |

Bearings

| Frame Size | Driving End | | Non-driving End | |
|------------|-------------|------------|------------------|------------------|
| | 2 pole | 4,6,8 pole | 2 pole | 4,6,8 pole |
| 160 | 6209 2Z/C3 | 6209 2Z/C3 | 6209 2Z/C3 | 6209 2Z/C3 |
| 180 | 6211/C3 | 6311/C3 | 6211/C3 | 6211/C3 |
| 200 | 6212/C3 | 6312/C3 | 6212/C3 | 6212/C3 |
| 225 | 6312/C3 | 6313/C3 | 6312/C3 | 6312/C3 |
| 250 | 6313/C3 | 6314/C3 | 6313/C3 | 6313/C3 |
| 280 | 6314/C3 | 6317/C3 | 6314/C3 | 6314/C3 |
| 315 | 6317/C3 | NU319 | 6317C3/7317B(V1) | 6319C3/7319B(V1) |
| 355 | 6319/C3 | NU322 | 6319C3/7319B(V1) | 6322C3/7322B(V1) |

**The motors above can be loaded directly.
In case of high radial force, NU bearings are recommended.**



Fuzhou Wonder Electric Co., Ltd.

Add: No. 120, Changyang Road, Fuzhou Development Zone, Fujian, China

Website: www.wonderfz.com

Email: wonder@wonderfz.com

Tel: +86-591-83998899

Fax: +86-591-83998666

Wonder Electric Co., Ltd.

Add: No. 239, Xingda Road, Fuan Electrical Machinery and Appliances Zone, Fujian, China

Website: www.wonder-cn.com

Email: wonder@dayu-casting.com

Tel: +86-593-6379666 6379988

Fax: +86-593-6379999

Wonder Electric Motor (M) Sdn. Bhd.

Add: No.11, Jalan Meranti Jaya 16, Taman Meranti Jaya Industrial Park, 47120 Puchong, Selangor, Malaysia

Email: sales@wonderelectric.com.my

Tel: +603-8063-9399

Fax: +603-8060-8399

Wonder Electric Motor (S) Pte. Ltd.

Add: No. 111, Neythal Road, Singapore, 628598

Email: wondersg@singnet.com.sg

Tel: +65-6265-8698

Fax: +65-6265-6589